

■ 2048 x 1 pixels

■ 40 kHz

Wave Series



➤ WAL-2001-GE

High performance SWIR line scan camera

GIG
VISION

Preliminary Version



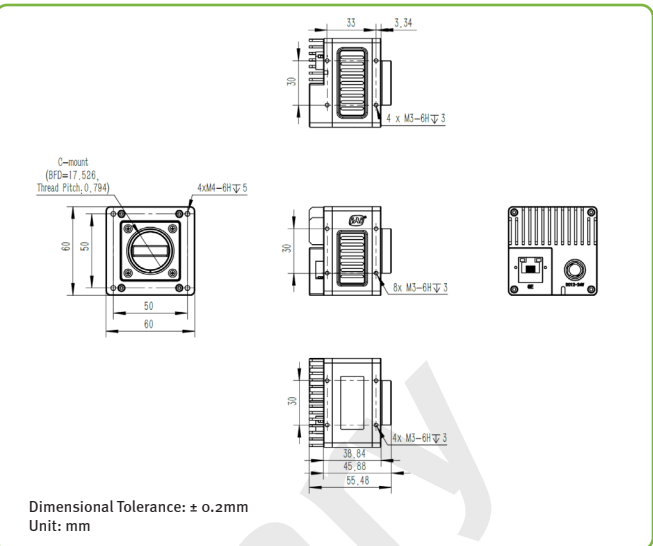
- **High-performance SWIR line scan camera with GigE Vision interface**
- **2048 x 1 pixel output up to 40kHz**
- **12.8mm wide sensor with 12.5 μm square pixels**
- **Supports horizontal image flip**
- **Video output: Mono8/10/12/14-bit**
- **Gain control includes digital gain and analog gain**
- **Supports FFC (Flat Field Correction), DPC (Defective Pixel Correction), Spatial Correction, Destripe, black level control and LUT**
- **Lens mount: C-Mount**

Specifications for WAL-2001-GE

Wave Series

Specifications	WAL-2001-GE
Sensor	InGaAs global shutter
Spectral range	900nm to 1700nm
Effective Pixels	2048 x 1 (pixel shift)
Line rate	up to 40kHz
Sensor width	12.8mm
Pixel size	12.5 μm x 12.5 μm
Quantum Efficiency	83.25%@1435nm (typical peak value)
Dynamic Range	65dB (TBD)
Signal-to-Noise Ratio	54dB (TBD)
Interface	GigE Vision
Video output	Mono8, Mono10, Mono10p, Mono12, Mono12p, Mono14
Gain	Digital Gain (1 to 32) Analog Gain (Level_High / Level_Low)
Trigger source	Software, Opto, Single-ended, RS422 Differential trigger
Frame Trigger Divider	1 to 8
Exposure Mode	Timed
Exposure Time	2 μs ~ 9992 μs
ISP	FFC (Flat Field Correction), DPC (Defective Pixel Correction), Spatial Correction, Destripe, black level control and LUT
LUT	3 preset options
Lens mount	C-Mount (BFD: 17.526mm)
Operating temp. (ambient)	-20°C to +55°C (20 to 80% non-condensing)
Storage temp. (ambient)	-40°C to +60°C (20 to 80% non-condensing)
Vibration	10G (20 Hz to 200 Hz, XYZ directions)
Shock	80G
Regulations	EN 55032:2015+A1+A11, EN 55035:2017+A11, EN IEC 61000-6-2:2019, EN IEC 61000-6-4:2019, FCC Part 15 Subpart A, RoHS, KC (TBD)
Power supply	12-pin: 12 to 24V DC +/-15% PoE: not supported
Power consumption	4.3W Typ @ 12V DC (TBD)
Dimensions (H x W x D)	60.0 mm x 60.0 mm x 55.5 mm
Weight	309g (TBD)

Dimensions

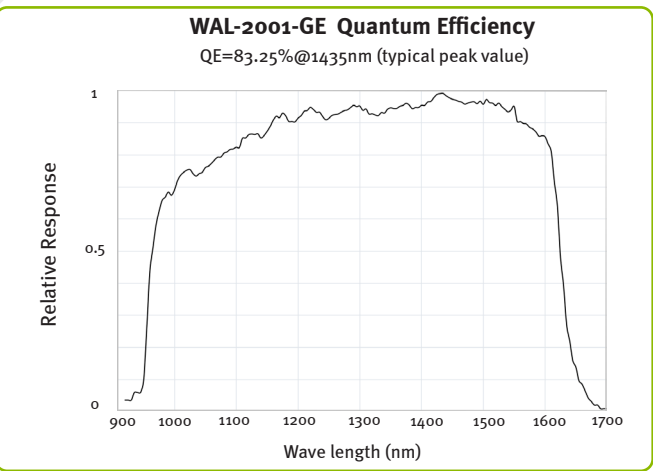


Connector pin-out

12-pin Connector (Power)
HR10A-10R-12PB (71)

Pin	Signal
1	GND
2	DC_PWR
3	RS422_0_RX_A
4	RS422_0_RX_B
5	RS422_1_RX_A
6	RS422_1_RX_B
7	OPT_IN
8	OPT_IN_GND
9	OPT_OUT
10	OPT_OUT_GND
11	GPIO_A
12	GPIO_B

Quantum Efficiency



Ordering Information	
WAL-2001-GE	zK High performance SWIR line scan camera



Scan for contact information
Explore more at www.jai.com



See the possibilities

Company and product names mentioned in this datasheet are trademarks or registered trademarks of their respective owners. JAI A-S Cannot be held responsible for any technical or typographical errors and reserves the right to make changes to products and documentation without prior notice.